

PSR-SPP- 24DC/ESP4/2X1/1X2

Order No.: 2981017



<http://eshop.phoenixcontact.de/phoenix/treeViewClick.do?UID=2981017>

Safety relay, process engineering, emergency stop and protective door monitoring. One-channel, two enabling current paths, pluggable connecting terminal blocks with spring-cage connection

Commercial data	
EAN	4017918911072
Pack	1 Pcs.
Customs tariff	85364900
Weight/Piece	0.2491 KG
Catalog page information	Page 23 (IF-2007)

Product notes

WEEE/RoHS-compliant since:
04/25/2008



<http://www.download.phoenixcontact.com>
Please note that the data given here has been taken from the online catalog. For comprehensive information and data, please refer to the user documentation. The General Terms and Conditions of Use apply to Internet downloads.

Technical data

Input data	
Nominal input voltage U_N	24 V DC
Input voltage range in reference to U_N	0.85 ... 1.1

Typical input current at U_N	60 mA DC
Voltage at input/start and feedback circuit	Approx. 24 V DC
Typical response time	60 ms
Typical release time	20 ms
Recovery time	1 s

Output data

Contact type	2 enabling current paths, 1 signaling current path
Contact material	AgSnO ₂ , + 0.2 µm Au
Maximum switching voltage	250 V AC/DC
Minimum switching voltage	15 V AC/DC
Limiting continuous current	6 A
Maximum inrush current	6 A
Inrush current, minimum	25 mA
Interrupting rating (ohmic load) max.	144 W (24 V DC, τ = 0 ms) 288 W (48 V DC, τ = 0 ms) 110 W (110 V DC, τ = 0 ms) 88 W (220 V DC, τ = 0 ms) 1500 VA (250 V AC, τ = 0 ms)
Maximum interrupting rating (inductive load)	42 W (24 V DC, τ = 40 ms) 42 W (48 V DC, τ = 40 ms) 42 W (110 V DC, τ = 40 ms) 42 W (220 V DC, τ = 40 ms)
Switching capacity min.	0.4 W
Output fuse	6 A fast blow 4 A circuit-breaker C

General data

Length	112 mm
Width	22.5 mm
Height	114.5 mm
Ambient temperature (operation)	-20 °C ... 55 °C
Ambient temperature (storage/transport)	-20 °C ... 70 °C
Service life mechanical	Approx. 10 ⁷ cycles
Mounting position	Any

Category in acc. with EN 954-1	2
	4
Stop category	0
Name	Air and creepage distances between the power circuits
Standards/regulations	DIN EN 50178/VDE 0160
Rated surge voltage / insulation	6 kV / Safe isolation, increased insulation
Rated insulation voltage	250 V
Pollution degree	2
Surge voltage category	III

Connection data

Conductor cross section solid min.	0.2 mm ²
Conductor cross section solid max.	1.5 mm ²
Conductor cross section stranded min.	0.2 mm ²
Conductor cross section stranded max.	1.5 mm ²
Conductor cross section AWG/kcmil min.	24
Conductor cross section AWG/kcmil max	16
Stripping length	8 mm
Type of connection	Spring-cage conn.

Certificates / Approvals

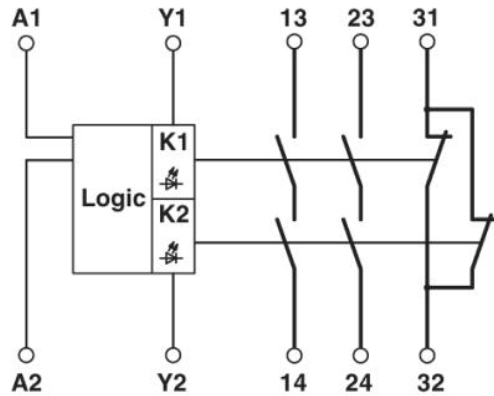


Certification

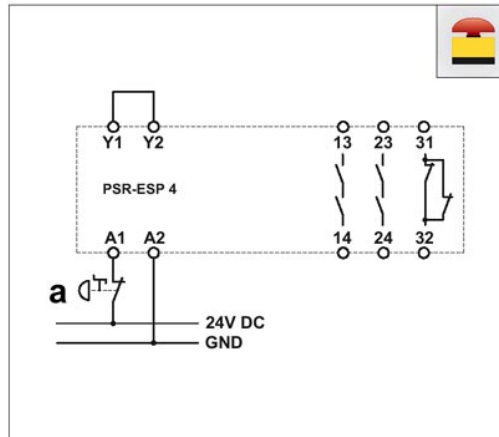
CUL Listed, GL, GOST, TUEV-RH, UL Listed

Drawings

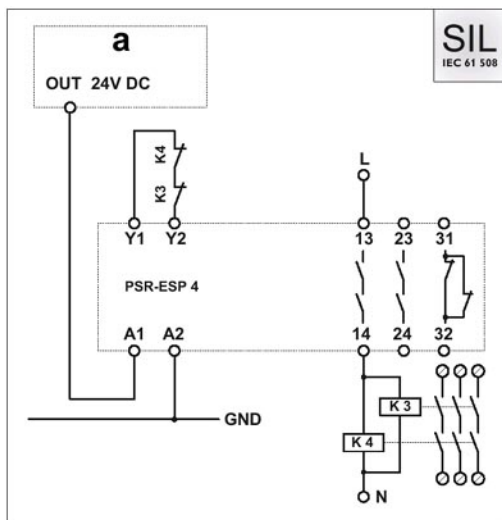
Circuit diagram



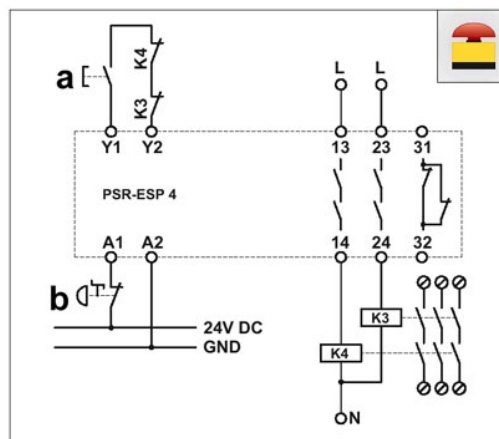
1 = logics



One-channel emergency stop circuit with automatic activation, suitable up to safety category 2.



One-channel evaluation of a safety controller with automatic activation, suitable up to SIL 3.



One-channel emergency stop circuit with manual activation and monitored contact expansion, suitable up to safety category 2.